

Service Trolleys

Heated Plate Dispenser Trolley, 2 cylinders - Ø180-300 mm

ITEM # _____

MODEL # _____

NAME # _____

SIS # _____

AIA # _____



341186 (F33HA)

Heated Plate Dispenser
trolley, double cylinder, plate
diameter 180-300 mm

Short Form Specification

Item No. _____

Plate lowerator suitable to warm, transport and distribute plates. Two cylinders plate lowerator: each cylinder can accommodate up to 50 plates of 300 mm diameter. Guiding profiles inside the cartridges allows to accommodate different shaped plates/bowls. Constructed entirely in 304 AISI stainless steel. Unit has 4 swivel castors, two with brakes.

Main Features

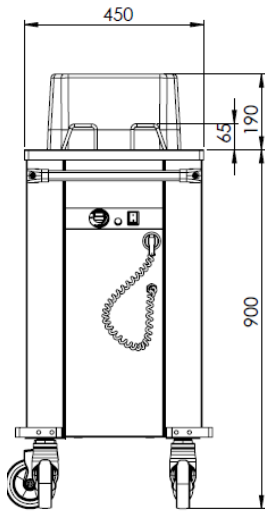
- Two cylinders plate lowerator: each cylinder can accommodate up to 50 plates of 300 mm diameter
- CB and CE certified by a third party notified body.
- Guiding profiles inside the cartridges allows to accommodate different shaped plates/bowls.
- Plate lowerator suitable to warm, transport and distribute plates.
- Sprung cylinders allow plates of different weights to be stacked.

Construction

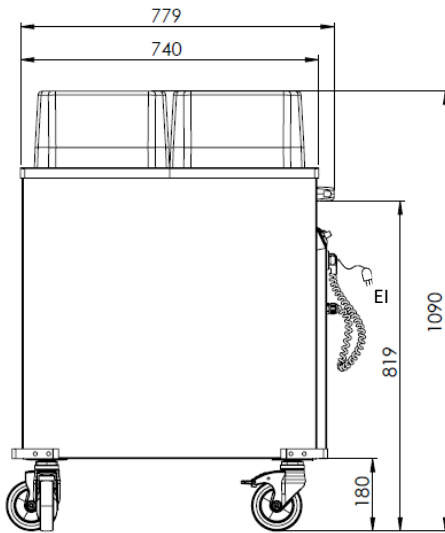
- IPx4 water protection.
- Constructed entirely in 304 AISI stainless steel.
- 1,8 mt spiral cable with schuko plug.
- Unit has 4 swivel castors, 2 with brakes.
- Unit has a handle to easily move the trolley.
- Bumpers on corners.

APPROVAL: _____

Front

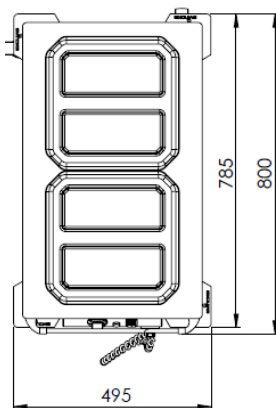


Side



EI = Electrical inlet (power)

Top



Electric

Supply voltage: 220-240 V/1N ph/50/60 Hz
Electrical power, max: 1.62 kW

Key Information:

External dimensions, Width: 820 mm
External dimensions, Depth: 495 mm
External dimensions, Height: 1090 mm
Wheel material:
Wheel diameter:
Net weight: 36 kg